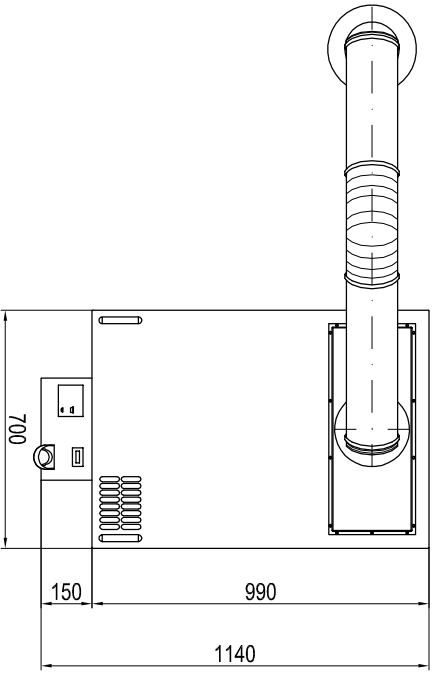


Range of operating area



**TAMA**  
AIR FILTRATION

ITEM:  
M-TROLL 1BR  
REV.0 del.29/04/2014

TECHNICAL SPECIFICATIONS

Weight	kg	170
Filtering media	Firefilter	
	Prefilter	
	Smokefilter	
Filtering surface	Carbonfilter	
		m <sup>2</sup>
Filtering efficiency	%	95
Electric control panel feeding		400 V AC 50 Hz
Electric phases		3P + T
PERFORMANCE CHARACTERISTICS		
Nominal air flow	m <sup>3</sup> /h	1050
Nominal fan power	kW	2.2