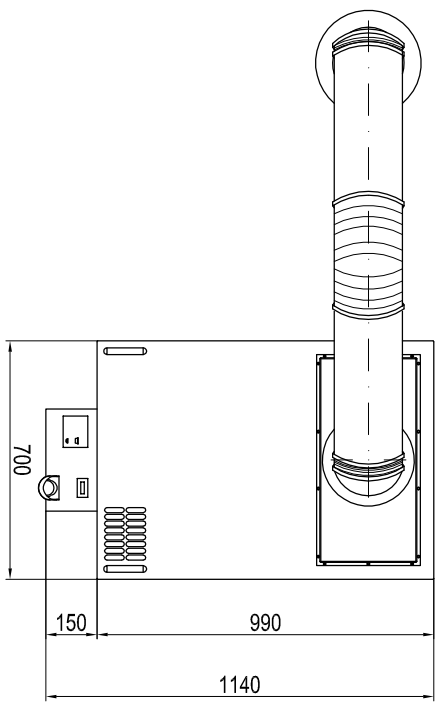
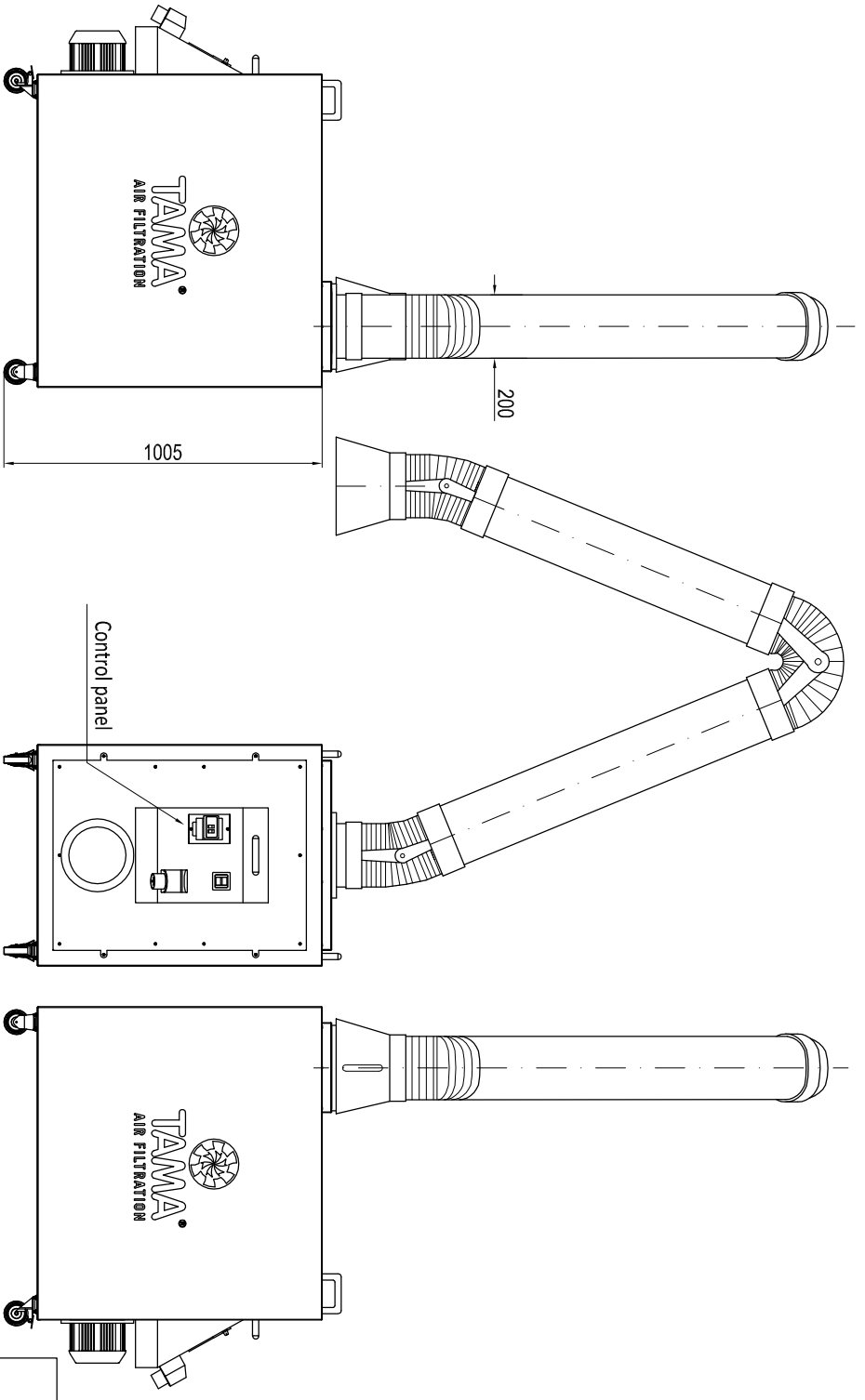


Range of operating area



ITEM:
M-TROLL 200
REV.0 ddel 29/04/2014

TECHNICAL SPECIFICATIONS

Weight	kg	220
Filtering media	Firefilter	
	Prefilter	
	Smokefilter	
	Carbonfilter	
Filtering surface	m ²	17
Filtering efficiency	%	95
Electric control panel feeding	400 V AC 50 Hz	
Electric phases	3P + T	
PERFORMANCE CHARACTERISTICS		
Nominal air flow	m ³ /h	1050
Nominal fan power	KW	2.2