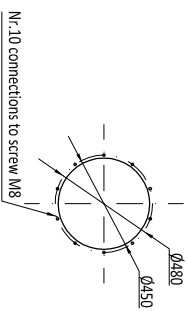
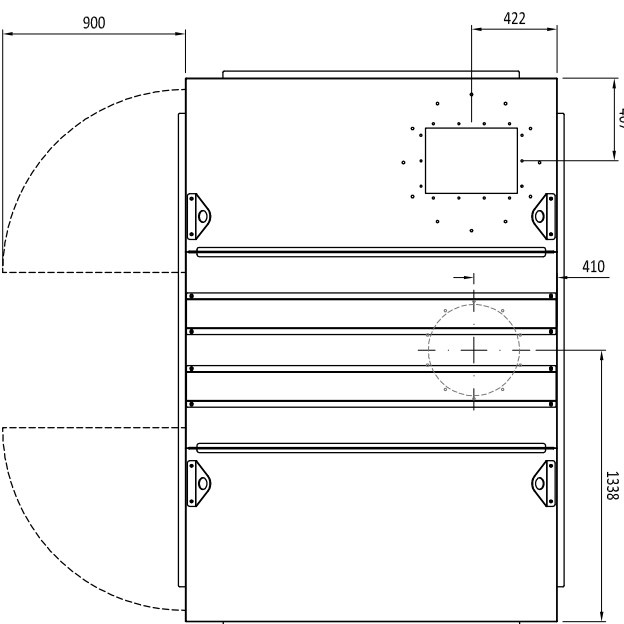
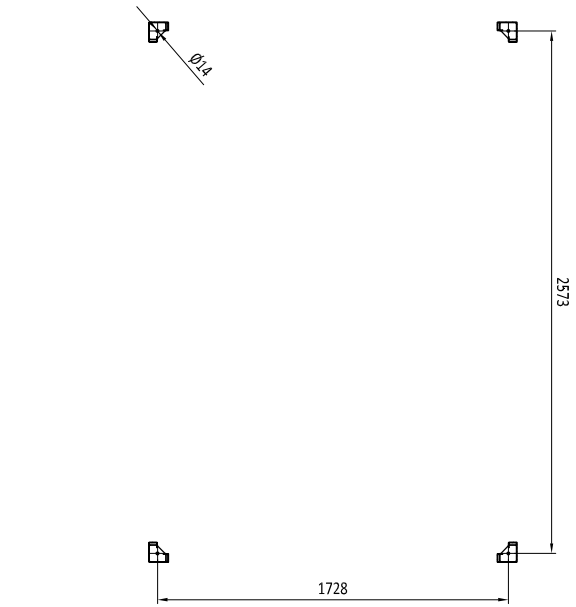
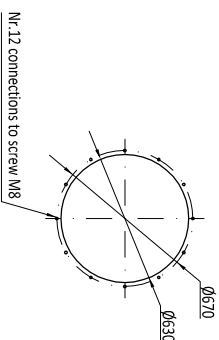


GROUND FASTENING LAYOUT (SECTION A-A)



INLET FLANGE DETAIL



OUTLET FLANGE DETAIL



TAMA

 AIR FILTRATION

tama@tama.eu
 www.tama.eu
 ITEM: KOMPAK AIR
 4x4/O
 Q=11000 Nm³/h
 REF: 106-12/08/2018

TECHNICAL SPECIFICATIONS

Weight	kg	2200
Number of filtering elements	nr	16
Filtering surface	m ²	336
Max working under pressure	Pa	5000
Working temperature	°C	-10<f>+60
Pneumatic feeding	Ø	1/2" GAS
(ISO Class 2,4,1 according 8573-1:2000)		
Electric feeding	400 V - 50Hz	
Cartridges cleaning system	jet-pulse	
Number of cleaning valves	nr	16
Type of cleaning system valves	Ø1" - 24 V DC	
Compressed air tank working pressure	bar	4,5
PERFORMANCE CHARACTERISTICS		
Nominal air flow	Nm ³ /h	11000
Nominal static pressure	Pa	4280
Nominal fan power	kW	18,5
Max compressed air consumption	Nl/min	360