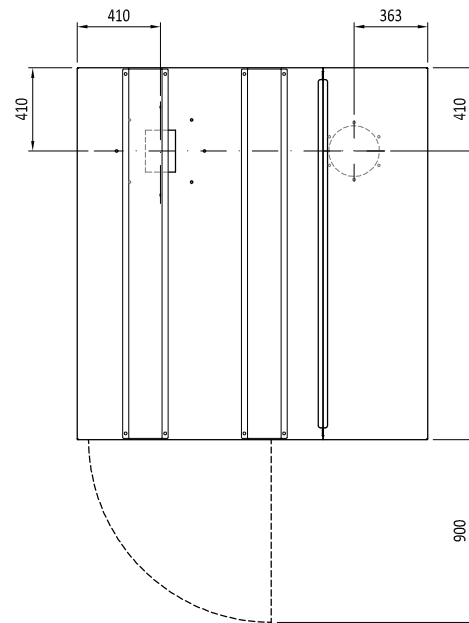
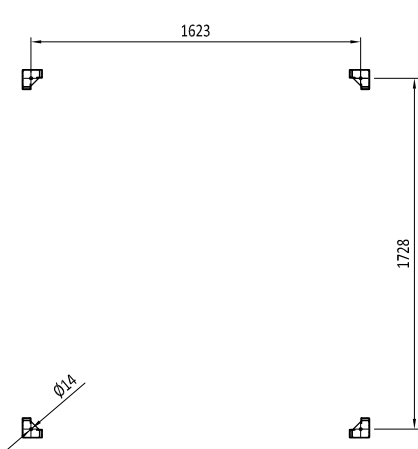
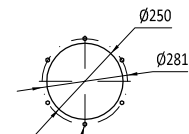


GROUND FASTENING LAYOUT (SECTION A-A)

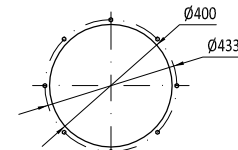


INLET FLANGE DETAIL




Nr.6 connections to screw M8

OUTLET FLANGE DETAIL



Nr.8 connections to screw M8

	ITEM:	
	KOMPAC AIR 2x2/O Q=3300 Nm ³ /h <small>REV 1 del 11/09/2014</small>	
TECHNICAL SPECIFICATIONS		
Weight	kg	1050
Number of filtering elements	nr	4
Filtering surface	m ²	84
Max working under pressure	Pa	5000
Working temperature	°C	-10<T<60
Pneumatic feeding	Ø	1/2" GAS
(ISO Class 2.4.1 according 8573-1:2000)		
Electric feeding		400 V - 50Hz
Cartidges cleaning system		jet-pulse
Number of cleaning valves	nr	4
Type of cleaning system valves		Ø1" - 24 V DC
Compressed air tank working pressure	bar	4.5
PERFORMANCE CHARACTERISTICS		
Nominal air flow	Nm ³ /h	3300
Nominal static pressure	Pa	3340
Nominal fan power	kW	5.5
Max compressed air consumption	Nl/min	360