

AIR FILTRATION SYSTEMS

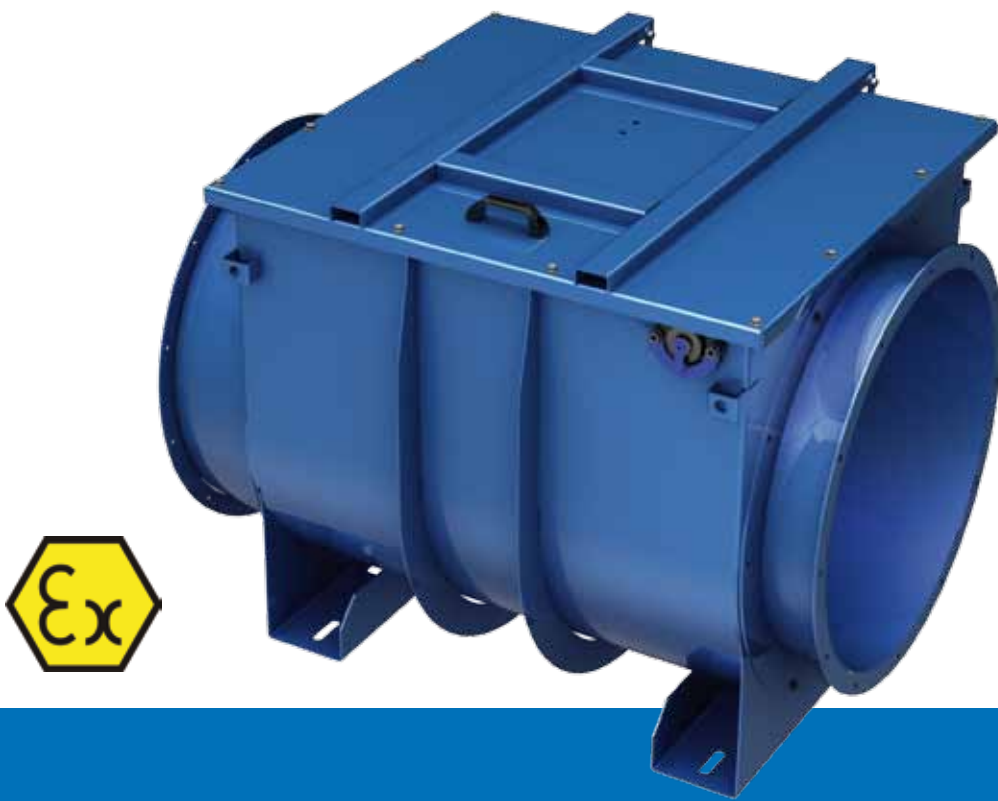


TAMA®

AERNOVA

IBERICA

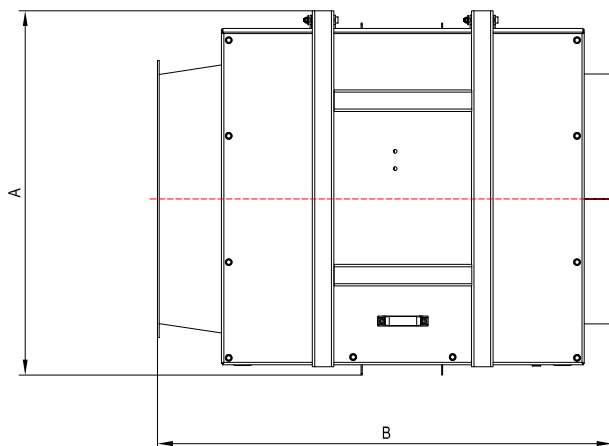
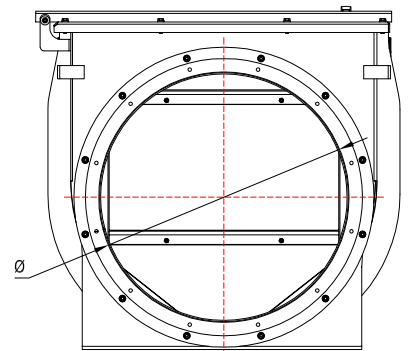
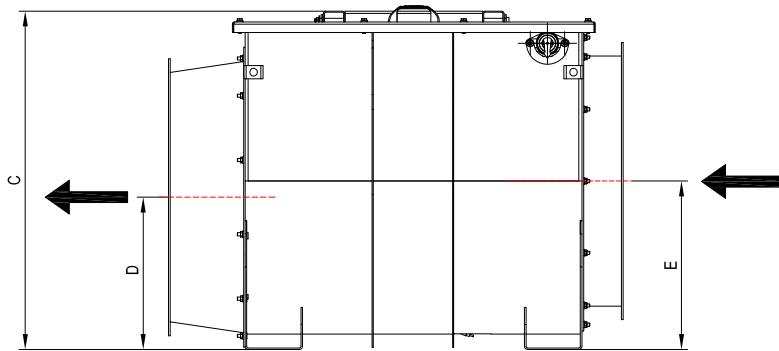
ATEX NON-RETURN VALVE



The non-return valve ATEX with mechanical activation is suitable for dust explosion isolation. Many industrial suction systems require simple isolation systems. The purpose of the non-return valves is to protect the suction horizontal lines with a dust maximum concentration of 1/10 of the LEL (lower explosion limit) and a suction speed included between 15 and 30 m/s. The stainless steel flap opening angle is 25° in the closed position plus additional 35° during the flow. Therefore, the total angle is 60° degrees which implies a low pressure drop but fast enough to close and stop the explosion.



ATEX NON-RETURN VALVE



Mod. ø mm	Pressure drop mm H ₂ O	A mm	B mm	C mm	D mm	E mm	Weight Kg
120	46	353	633	402	150	190	25
140	46	353	633	402	150	190	25
150	46	353	633	402	150	190	25
180	46	353	633	402	150	190	25
200	46	468	841	506	213	260	50
220	46	468	841	506	213	260	50
250	46	468	841	506	213	260	50
280	46	468	841	506	213	260	50
300	46	468	841	506	213	260	50
315	46	468	841	506	213	260	50
350	46	730	1061	684	293	340	92
380	46	730	1061	684	293	340	92
400	46	730	1061	684	293	340	92
420	46	730	1061	684	293	340	92
450	46	730	1061	684	293	340	92
480	46	730	980	684	293	340	94
500	46	730	1061	684	293	340	94
520	46	930	1295	897	398	440	172
550	46	930	1295	897	398	440	172
580	46	930	1295	897	398	440	172
600	46	930	1295	897	398	440	172
630	46	930	1295	897	398	440	172
680	46	930	1295	897	398	440	172
710	46	1220	1566	1190	543	590	290
750	46	1220	1566	1190	543	590	290
800	46	1220	1566	1190	543	590	290
850	46	1220	1566	1190	543	590	290
900	46	1220	1566	1190	543	590	290
950	46	1220	1566	1190	543	590	290
1000	46	1220	1566	1190	543	590	290